

**NEW!**

# CAMEC RV BATHROOM MODULE

Spot lights

Big Wall Cupboard

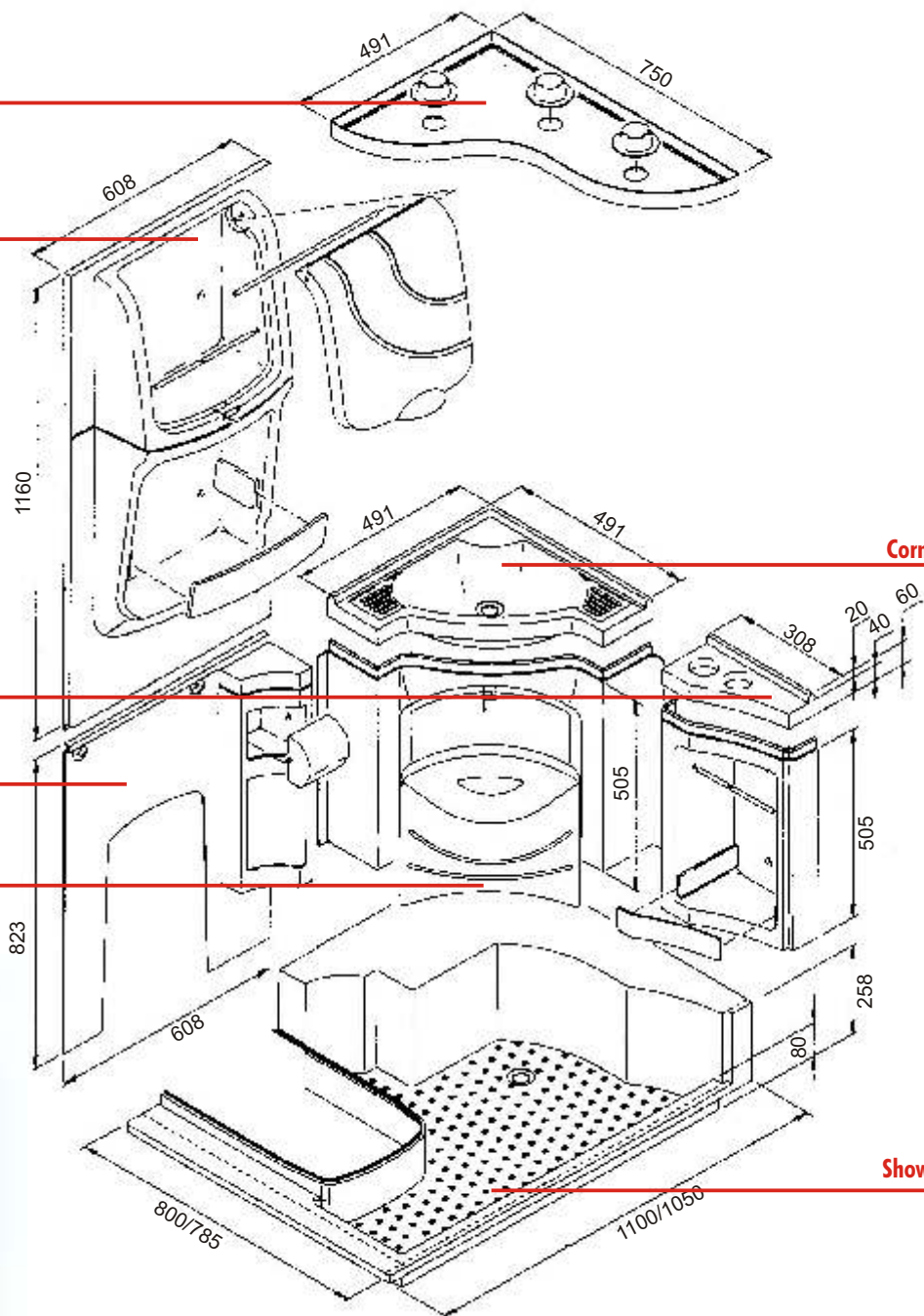
Movable Side

Thetford Panel

Sub-Sink

Corner Sink

Shower Tray



# CAMEC®

### MELBOURNE

Phone: (03) 9799 6477  
Fax: (03) 9799 6488

### PERTH

Phone: (08) 9351 0000  
Fax: (08) 9451 5522

### BRISBANE

Phone: (07) 3710 9000  
Fax: (07) 3710 9011

### NEW ZEALAND

Phone: (09) 257 2419  
Fax: (09) 255 1910

### NEW SOUTH WALES - INGLEBURN

Phone: (02) 8706 0888  
Fax: (02) 8706 0899

### NEW SOUTH WALES - KOGARAH

Phone: (02) 9588 3400  
Fax: (02) 9588 4463

**WEBSITE** [www.camec.com.au](http://www.camec.com.au)

**EMAIL** [camec@camec.com.au](mailto:camec@camec.com.au)

**NEW!**

# CAMEC RV BATHROOM MODULE



**CAMEC**<sup>®</sup>

**MELBOURNE**

Phone: (03) 9799 6477  
Fax: (03) 9799 6488

**PERTH**

Phone: (08) 9351 0000  
Fax: (08) 9451 5522

**BRISBANE**

Phone: (07) 3710 9000  
Fax: (07) 3710 9011

**NEW ZEALAND**

Phone: (09) 257 2419  
Fax: (09) 255 1910

**NEW SOUTH WALES - INGLEBURN**

Phone: (02) 8706 0888  
Fax: (02) 8706 0899

**NEW SOUTH WALES - KOGARAH**

Phone: (02) 9588 3400  
Fax: (02) 9588 4463

**WEBSITE** [www.camec.com.au](http://www.camec.com.au)

**EMAIL** [camec@camec.com.au](mailto:camec@camec.com.au)