



**Fiamma**  
**Bi-Pot**®



**CAMEC**®

Bi-Pot is the simplest, strongest, self-contained for thorough and total cleaning. Sturdy Each tank is electronically tested for a perfect seal. There are convenient side hooks that connect the upper and lower tanks.

**Colour:** Pearl.  
**Waste tank capacity:** Bi-pot 30 = 11 litres  
 Bi-Pot 1513 = 13 litres  
 Bi-pot 1520 = 20 litres

**1002-011**  
**11 Litre**



**1002-020**  
**20 Litre**



**1002-013**  
**13 Litre**



**Solid and practical pump**

Easy to completely dismantle piston pump that guarantees three powerful rinse jets.

**Easy hooking**

The only one with sturdy side hooks in stainless steel.

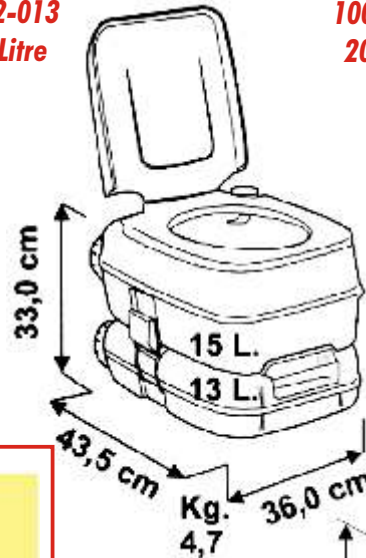
**External air valve**

Completely external and easy to maintain.

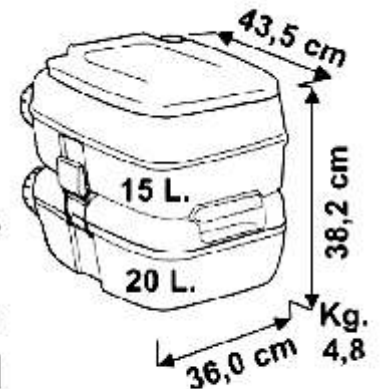
**Sturdy collection tank**

Seam-free one piece construction. Absolutely no possibility of leaks.

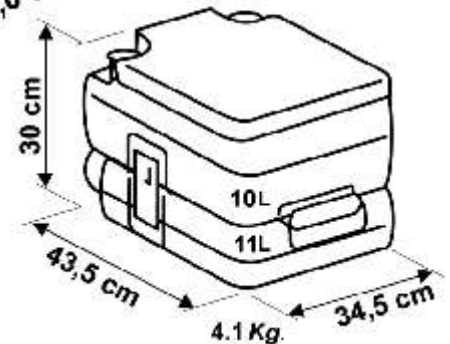
**1002-013**  
**13 Litre**



**1002-020**  
**20 Litre**



**1002-011**  
**11 Litre**



**SUPER RINSE PINK**

Scented anti-mildew bactericide for chemical toilet fresh water tanks. Cleans and protects the bowl.

Part No. 1003-010 1 x 1 litre



**SUPER FRESH GREEN**

Non-foaming deodorant detergent. Eliminates unpleasant odours.

Part No. 1003-015 1 x 1 litre



Trade:



**CAMEC**

**CAMEC PTY LTD - Victoria:**

47-63 Remington Drive,  
 Dandenong South, VIC Australia 3175  
 Phone: (03) 9799 6455  
 Fax: (03) 9799 6466  
 Email: camec@camec.com.au  
 Web Site: www.camec.com.au

**Dealer**

Retail:

**Queensland:**  
 Bldg 3, Archerfield Industrial Park,  
 Cnr Kerry & Beaudesert Roads,  
 Archerfield, QLD 4108 Australia  
 PO Box 210,  
 Acacia Ridge, QLD 4110  
 Phone: (07) 3710 9000  
 Fax: (07) 3710 9011

**Western Australia:**  
 Unit 1, 175 Welshpool Road,  
 Welshpool, WA 6106  
 Australia  
 PO Box 559  
 Cannington, WA 6987  
 Phone: (08) 9351 0000  
 Fax: (08) 9351 0030

**New South Wales:**  
 Unit 1, 2 Garner Place,  
 Ingleburn, NSW 2565  
 Phone: (02) 8706 0888  
 Fax: (02) 8706 0899  
 33 Rocky Point Road,  
 Kogarah, NSW 2217  
 Phone: (02) 9588 3400  
 Fax: (02) 9588 4463

**New Zealand:**  
**Serada**  
 44 Montgomerie Road,  
 Mangere, Auckland  
 PO Box 201-211 Auckland  
 International Airport  
 New Zealand 1730  
 Phone: (09) 257 2419  
 Fax: (09) 255 1910

Warranty: 1300 654 936 (local call)